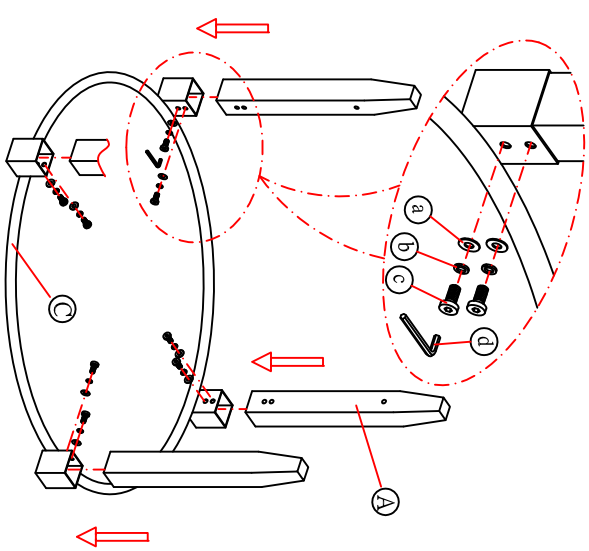


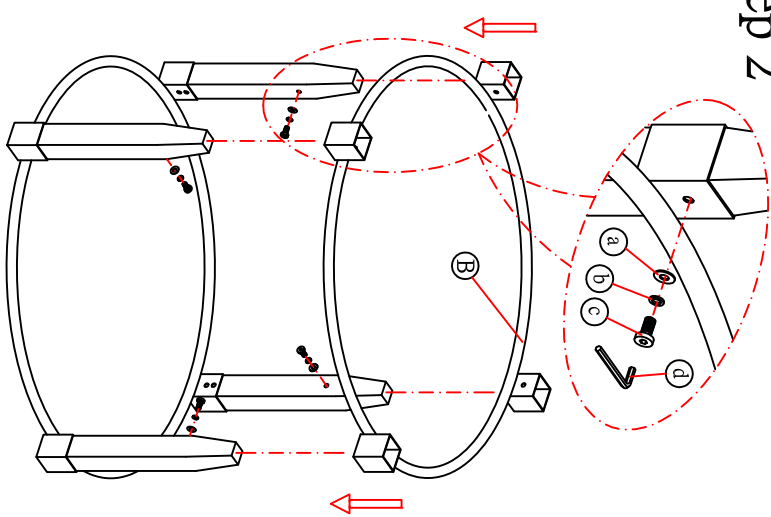


THANK YOU FOR PURCHASING THIS QUALITY PRODUCT.
BE SURE TO CHECK ALL PACKAGING MATERIAL CAREFULLY FOR SMALL PARTS THAT MAY HAVE COME LOOSE INSIDE THE CARTON DURING TRANSIT.

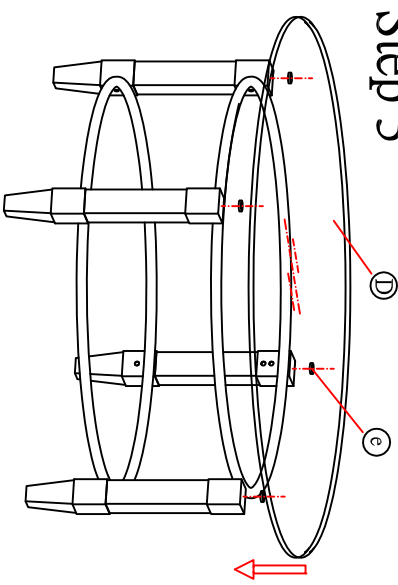
Step 1



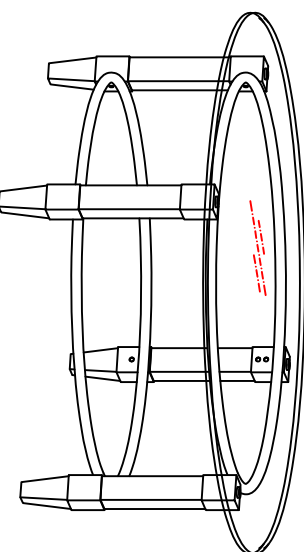
Step 2



Step 3



FINISH



PARTS LIST:

NO	DESCRIPTION	SIZE(mm)	SKETCH	QTY
A	POLE	4.6*4.6		4PCS
B	DECORATION RING	880*880		1PC
C	APRON	880*880		1PC
D	GLASS TOP	∅1000*110		1PC

HARDWARE LIST:

NO	DESCRIPTION	SIZE(mm)	SKETCH	QTY
a	WASHER	∅8.5		12PCS
b	SPRING WASHER	∅8.5		12PCS
c	BOLT	M8x15		12PCS
d	ALLEN KEY	5		1PC
e	SUCKER	∅12*3		4PCS